

MY1515 has an intake duct and exhaust duct and fan, and present an ideal testing environment for an aging test of various type of radio equipment such as Note-PC and W-LAN terminal etc.

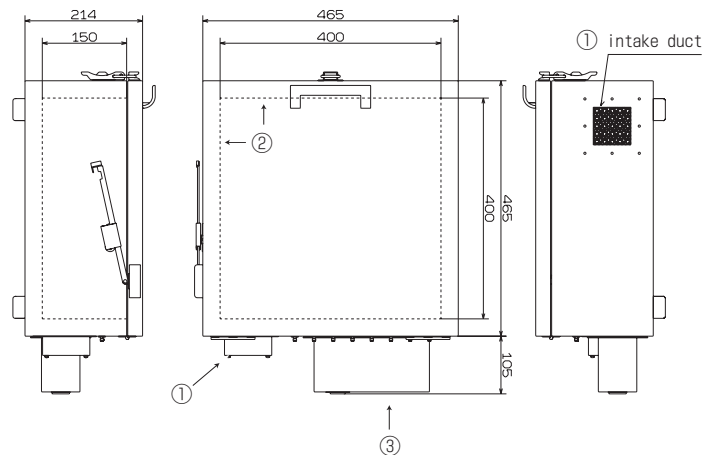


Specification

Outside dimensions	465(W) × 465(D) × 214(H)mm(excluding projections)
Inside dimensions	400(W) × 400(D) × 150(H)mm
Weight	approx. 10kg (without I/F Module)
Architecture	Double shield with radio absorber and aluminum board
Shield characteristics	more than 60dB @2.4GHz
Reflection loss	more than 20dB @≥2.4GHz, MYA-75
Connectors	8 pcs of SMA @ back side
Fan	0.46m ³ /min (the maximum force of the wind @50Hz)
Option	I/F Module (Attachable on the back side) Suitable for IFM1 to 5 of Taurus series

Features

- It has an intake duct and exhaust duct with fan. (※①)
- It absorb external noise and internal reflect radio wave to make stabilized testing environment. (※②)
- It is attachable with several type of interface. (※③)



- ※① It discharge the heated air that is generated by a DUT set in the MY1515 such as note PC, mobile phone and WLAN router/terminal, and it prevent the box to be heat up. Even if in use of long time test such as over 24 hour, user can make a measurement with ideal aging condition.
- ※② By putting DUT in the anechoic box, user can reduces an influence of external noise and multi pass and get steady measurement environment of test for Wireless LAN or other equipments.
- ※③ If changing an I/F Modules option, it is possible to measure it by various interfaces. Most of these interface modules have noise filters that reduce an influence of external noise.

I/F Module

The I/F Module are attachment module that is attached some kind of connectors such as AC power line, DC power line, LAN, USB, SMA,BNC,N, Triaxial and D-sub. Customers who has already Taurus series can exchange the I/F Modules for a requirement.

Option	Mounted connectors
IFM1	AC (1pc) 、 LAN (1pc) 、 USB (1pc) 、 D-sub9pin (1pc)
IFM2	AC (1pc) 、 LAN (2pc) 、 USB (2pc) 、 D-sub9pin (1pc)
IFM3	AC (1pc) 、 LAN (2pc) 、 USB (2pc) 、 D-sub25pin (1pc)
IFM4	DC (1pc) 、 LAN (1pc) 、 USB (1pc) 、 D-sub9pin (1pc) 、 D-sub25pin (1pc)
IFM5	SMA (2pc) 、 BNC (2pc) 、 N (2pc) 、 Triaxial (2pc)

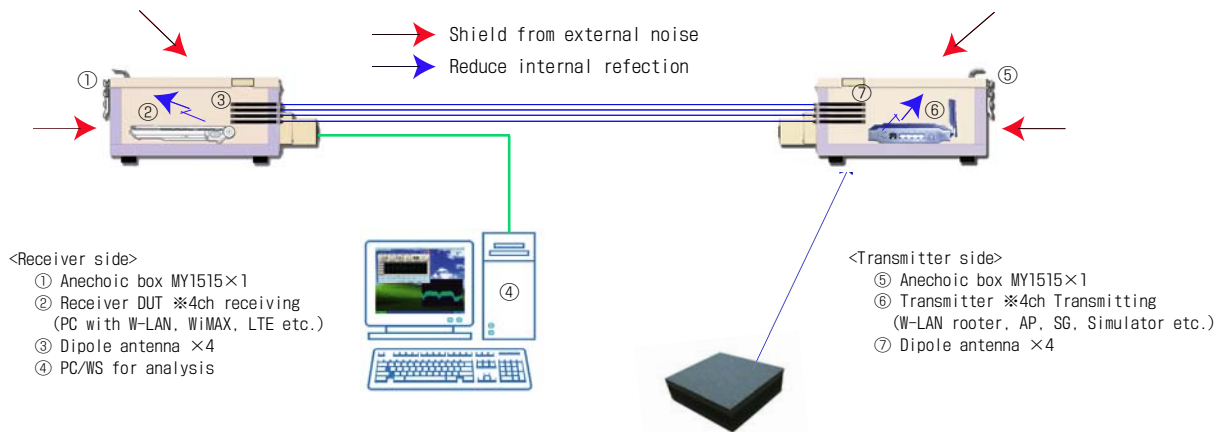


(This photo displays a box which is attached IFM3.)

Example of application

◇ Estimation of W-LAN terminal 【4×4 MIMO -Multiple Input Multiple Output】

MY1515 make an environment that reduce a external radio influence from a field of factory or office, and it make user to be able to estimate radio functions of WLAN terminals.



Radio wave absorber

Item	MYA-75	MYA-77	MYA-79
Thickness	29mm	57mm	114mm
absorbing performance			
10dB	16GHz	350MHz	250MHz
15dB	1.9GHz	700MHz	370MHz
20dB	2.5GHz	1.2GHz	600MHz
24dB	≥5.6GHz	≥2.5GHz	≥1.2GHz

※ Micronix lends a demonstrations equipment for an estimations.
For inquiries please call the nearest dealer or sales section of Micronix.

MICRONIX CORPORATION

2987-2, KOBIKI-CHO, HACHIOJI-SHI, TOKYO 193-0934 JAPAN
 TEL.+81-42-637-3667 FAX.+81-42-637-0227
 URL: <http://www.micronix-jp.com> E-mail: micronix_e@micronix-jp.com

AGENCY